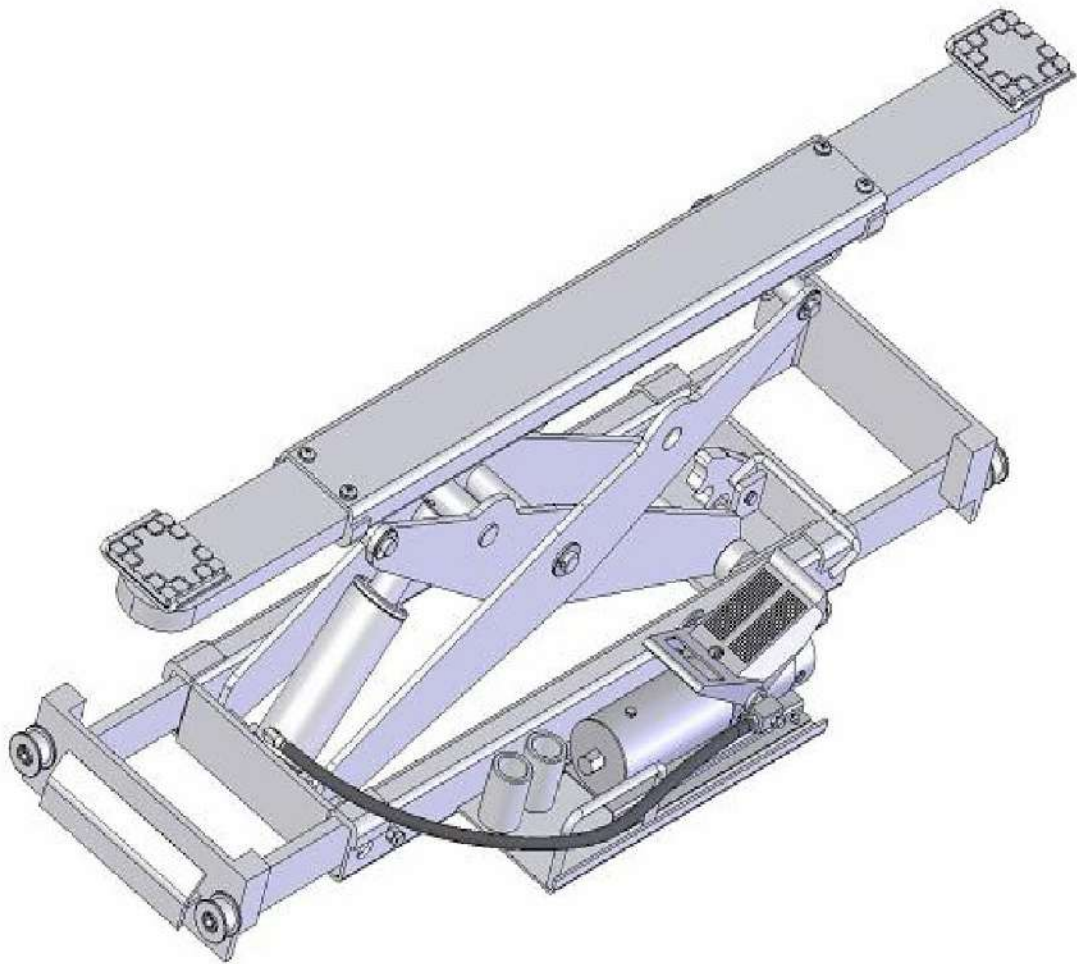


**6000LBS Capacity**

# **Hydraulic Power Rolling Jack**

**ASSEMBLY AND OPERATING INSTRUCTIONS**



**Made in China**

# INSTRUCTIONS

The Rolling Jack utilizes a proven scissor system and a foot pedal air/hydraulic pump provide lifting. It has a mechanical locking mechanism to prevent accidental lowering and rubber contact pad to protect the auto surface form damage. Mounting arms and lift arms are adjustable transversely and the foot pad height can be increased 60mm by adding a height adjuster to accommodate variable purpose.

## ■ Standard Features Include:

- Heavy-duty hydraulics
- High quality pump
- Multi-level safety
- Dual hand controls
- Stackable adapters
- Extended lift height
- Smooth operation

<b>Specifications</b>	
Capacity:	6000LBS(2722kg)
Collapsed Height:	252mm
Extended Height:	513mm
Roller assembly Minimum:	1025mm
Roller Assembly Extended:	1375mm
Top of Jack Minimum:	985mm
Top of Jack Extended:	1475mm
Rubber Lift Adapter Height:	38mm
Truck Lift Adapter Height:	76mm
Input Air Pressure:	90~150psi
Net Weight:	140kg
Shipping Weight:	157kg

## **Important Safety Instructions**

1. Make sure you know the weight of the vehicle you are going to lift before using Rolling Jack. Don't exceed the maximum lift capacity(6000LBS) for Rolling Jack. Overloading Rolling Jack could cause personal injury and/or property damage. Be aware of dynamic loading! If a weight suddenly falls onto Rolling Jack, it may create for a brief instant an excess load which may result in personal injury and/or damage to the vehicle and Rolling Jack..
2. Prior to beginning a job, make sure the Safety Lock Assembly and its safety catches are in the proper position. Never work underneath a vehicle without using additional safety support devices to support the vehicle.

3. Always keep hands, fingers, and feet away from the moving parts of the Rolling Jack when applying or releasing a load. Remain clear of the Rolling Jack. When raising or lowering a vehicle.
4. Use extreme caution when applying or releasing a load. Never allow the load to suddenly release. Slowly and carefully apply and release the load.
5. Never leave Rolling Jack unattended when the lift is under a load. Whenever Rolling Jack is under a load where is a very large amount of force what has been stored in the outside/inside scissors which must be controlled until the load is relaxed.
6. Never lift a vehicle with anyone inside it. Don't allow others in the lift area while operating the Rolling Jack. Don't allow anyone to ride on the Rolling Jack while it is being raised or lowered.
7. Only trained operators should operate this Rolling Jack. All non-trained personnel should be kept away from work area. Never let non-trained personnel come in contact with, or operate lift.
8. Use lift correctly. Use lift in the proper manner. Never use lifting adapters other than what is approved by the manufacturer.
9. Don't override self-closing lift controls.
10. **CHECK FOR DAMAGED PARTS.** Check for alignment of moving parts, break age of parts or any condition that may affect its operation. Don't use lift if any component is broken or damaged.

## PARTS LIST

NO.	Description	Qty	NO.	Description	Qty
1	Rubber Pillow	2	21	Telescoping End Weldment	2
2	Nonmetal Locknut M6	4	22	Slider Shaft	1
3	Flexible Saddle	2	23	C-Ring 20	4
4	Upper Flex Board Assembly	2	24	Nut M10	4
5	Spring Cylinder Pin 5x35	6	25	Bolt M10x25	4
6	Washer 20	4	26	Foot Pedal Air/Hydraulic Pump	1
7	Slider Shaft	1	27	C-Ring 18	2
8	Bolt M8x14	4	28	Safety Lock Assembly	1
9	Spring Washer 8	4	29	Lock pin	1
10	Top Channel Weldment	1	30	Center Shaft	1
11	Split Pin 4x50	1	31	Adapter	2
12	Cylinder Assembly	1	32	Linkage Rod	1
13	E-Ring 15	2	33	Hydraulic Hose	1
14	Lower Shaft	1	34	Sleeve Bushing	4
15	Outer Link Weldment	1	35	<b>Bolt</b>	4
16	Inner Link Weldment	2	36	Spring	4
17	Washer 24	4	37	Roller Bar	4
18	Spacer	2	38	Linkage Rod	1
19	Roller Guide	6	39	Bolt M6x12	4
20	Bottom Channel Weldment	1	40	Nut M6	4

# Parts Diagram

