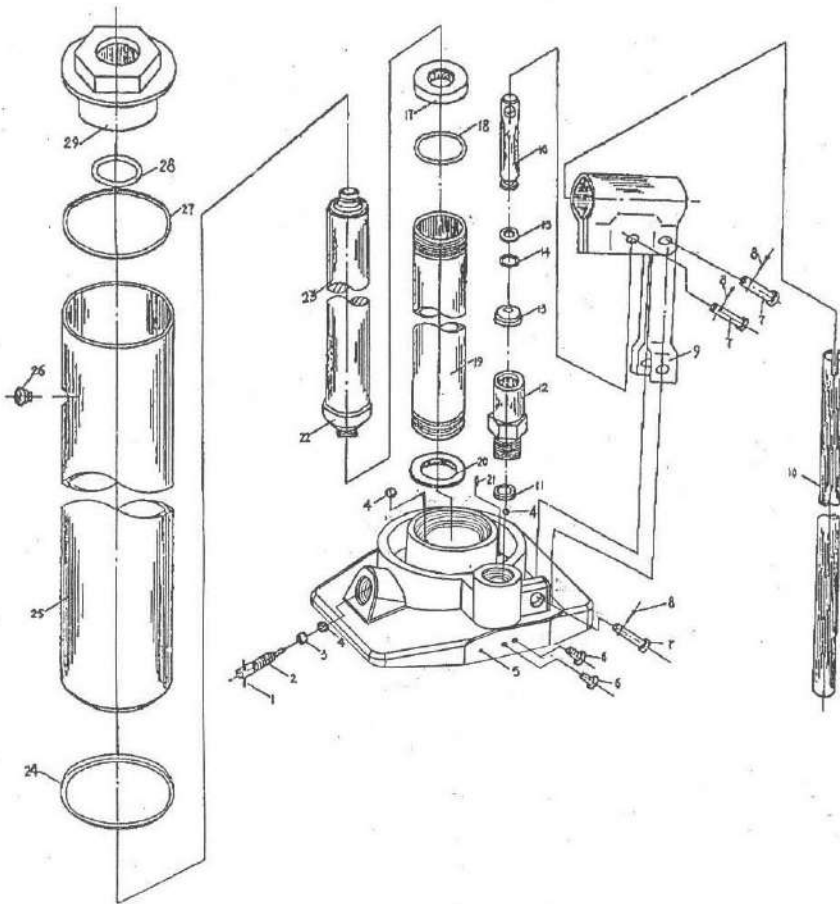


# WJ-L30



## PARTS LIST

| NO. | DESCRIPTION                  | QTY |
|-----|------------------------------|-----|
| 1   | Pin                          | 1   |
| 2   | Valve Release Screw          | 1   |
| 3   | Valve O-Ring                 | 1   |
| 4   | Ball Bearing                 | 3   |
| 5   | Base Assembly                | 1   |
| 6   | Bolt                         | 2   |
| 7   | Pin                          | 3   |
| 8   | Pin                          | 3   |
| 9   | Plunger and Fulcrum Assembly | 2   |
| 10  | Handle                       | 1   |
| 11  | Washer                       | 1   |
| 12  | Pump Cylinder                | 1   |
| 13  | Dust band                    | 1   |
| 14  | O-Ring                       | 1   |
| 15  | Washer                       | 1   |
| 16  | Piston                       | 1   |
| 17  | Collar                       | 1   |
| 18  | O-Ring                       | 1   |
| 19  | Cylinder                     | 1   |
| 20  | Washer                       | 1   |
| 21  | Dust Pipe                    | 1   |
| 22  | Plunger Chip                 | 1   |
| 23  | Plunger Rod                  | 1   |
| 24  | Seal Kit                     | 1   |
| 25  | Housing                      | 1   |
| 26  | Oil Plug                     | 1   |
| 27  | Seal Kit                     | 1   |
| 28  | O-Ring                       | 1   |
| 29  | Cap                          | 1   |