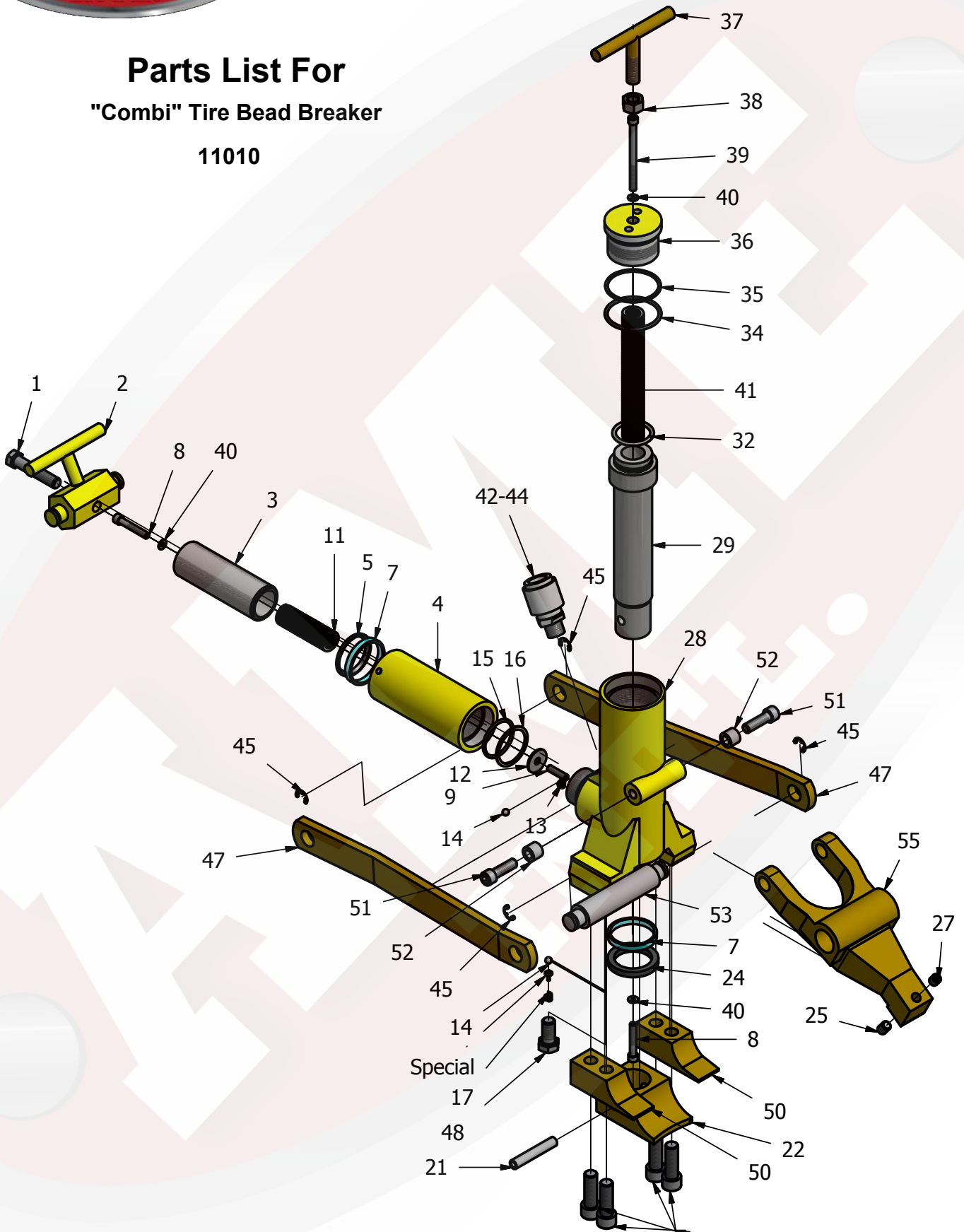




PARTS BREAKDOWN

Parts List For "Combi" Tire Bead Breaker 11010





PARTS BREAKDOWN

Parts List For "Combi" Tire Bead Breaker 11010

ITEM	QTY	PART NUMBER	DESCRIPTION
1	1	11010-001	Screw, Hex Hd. Cap (7/16-14 x 2); Torque to 30/40 Ft.Lbs
2	1	11010-002	Handle, Strap Pivot
3	1	11010-003	Piston, (Single Jaw)
4	1	11010-004	Body, Cylinder (Single Jaw); Torque to 125/140 Ft.Lbs
5	1	11010-005	Rod Wiper
7	2	11010-007	U-Cup
8	2	11010-008	Screw, Soc Hd (1/4-20 x 1-1/4), Torque to 215/140 Ft.Lbs
9	1	11010-009	Screw, Set (1/4-20 x 1)
11	1	11010-011	Spring, (.83 OD x .13 WS)
12	1	11010-012	Washer, Special (1.00 x .26)
13	1	11010-013	Spring, (.36 OD x .50 x .05 WS)
14	2	11010-014	Ball, (1/4 in. Diameter, Steel)
15	1	11010-015	O Ring, (1.62 x 1.37 Nitrile)
16	1	11010-016	Washer, Backup (2.00 x 1.75)
17	1	11010-017	Spring, (.32 OD x 1.20 x .08 WS)
21	1	11010-021	Pin, Roll (.38 x 2.25)
22	1	11010-022S	Claw, Machining
24	1	11010-024	Wiper, Rod (2.00 x 1.50 URE)
25	1	11010-025	Screw, Set (3/8-16 x 3/8)
27	1	11010-027	Screw, Set (3/8-16 x 1/2)
28	1	11010-028	Body, Bead Breaker
29	1	11010-029	Piston, Cylinder
32	1	11010-032	Ring, Retainer (internal 1/31 ID)
34	1	11010-034	O Ring (2.00 x 1.75)
35	1	11010-035	Washer, Backup (2.00 x 1.75)
36	1	11010-036	Plug, End (Torque to 14/225 Ft.Lbs)
37	1	11010-037	Handle
38	1	11010-038	Nut, Hex Jam (1/2-13)
39	1	11010-039	Screw, Soc Hd (1/4-20 x 2-1/2, Torque to 90/110 In.Lbs)
40	3	11000-022	Washer, Copper (.37 x .25)
41	1	11010-041	Spring, (.83 OD x 5.00 x .13 WS)
45	4	11010-045	Ring, Retainer External
47	2	11010-047	Strap
48	1	11010-048	Screw, Cap (9/16-18 x 1-1/8)
49	4	11010-049	Screw, Soc. Hd. (1/2-13 x 1-1/4)
50	2	11010-050	Tooth, Replaceable
51	2	11010-051	Screw, Soc. Hd. (3/8 x 16 x 1)
52	2	11010-052	Spacer
53	1	11010-053	Pin
55	1	11010-055	Jaw, Single
42-44	1	11010-042-044	Fluid Line Attachment
Special	1	11010-060	Ball Cap : Optional

2347 Circuit Way, Brooksville, Florida, USA 34604

Phone: (+1) 352-799-1111 Toll Phone: (+1) 877-775-4AME (4263)

Fax: (+1) 352-799-1112 E-mail: sales@ameintl.net www.ameintl.net