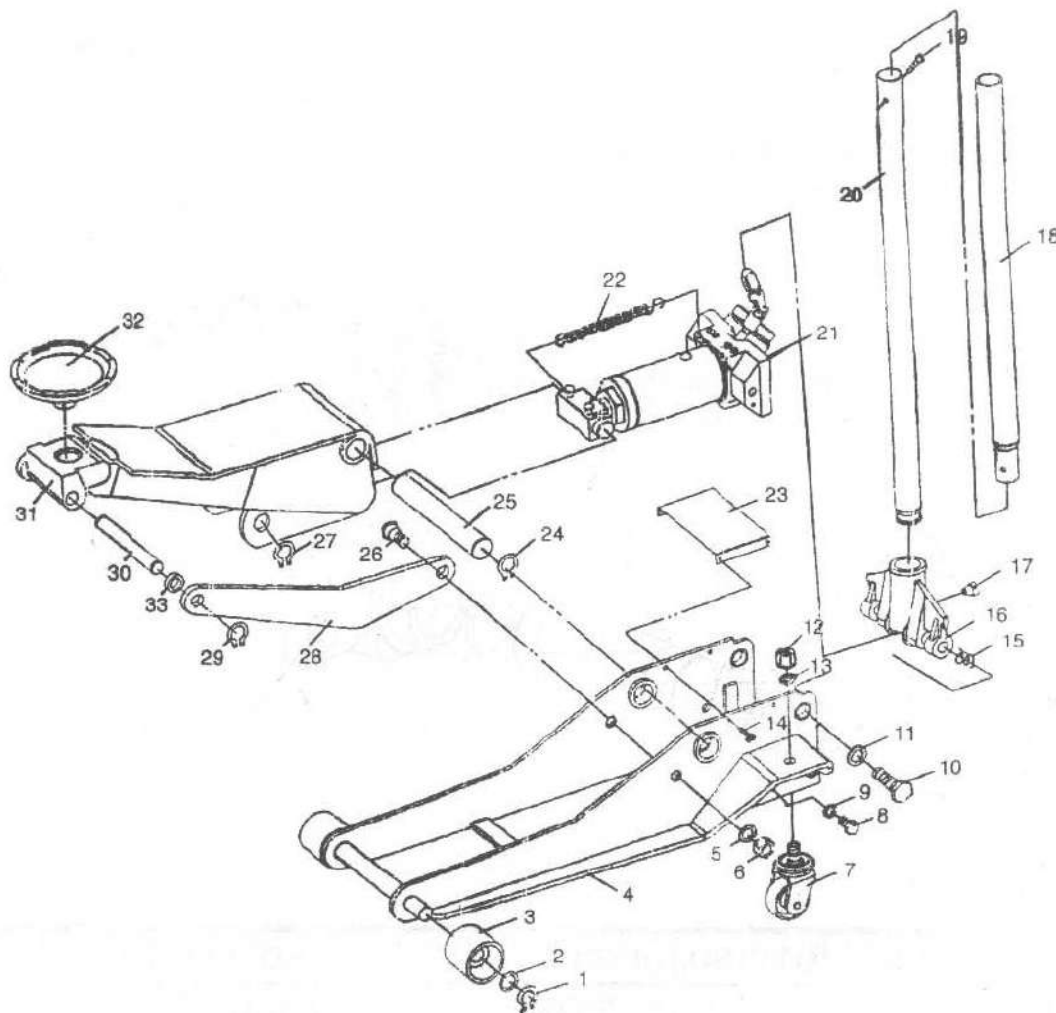


WJ-D3

3TON LOW-PROFILE HIGH-SPEED JACK (DOUBLE PUMP)



NO.	DESCRIPTION	QTY	NO.	DESCRIPTION	QTY	NO.	DESCRIPTION	QTY
1	Retaining Ring	2	12	Nut M16	2	23	Inspection Plate	1
2	Washer	2	13	Spring Washer	2	24	Retaining Ring	2
3	Wheel	2	14	Screws	4	25	Shaft Arm	1
4	Side Plate Assy	1	15	Torsion spring	2	26	Bolt	2
5	Washer 16	2	16	Handle Socket	1	27	Retaining Ring	2
6	Nut M16	2	17	Bolt	1	28	Long Linkage	2
7	Caster Assembly	2	18	Handle Upper	1	29	Retaining Ring	2
8	Hex Bolt M12 x 20	2	19	Hex Bolt M6 x 35	1	30	Linkage Axle	1
9	Spring Washer	2	20	Handle Lower	1	31	Lift Arm Assembly	1
10	Bolt	2	21	Power Unit Assy	1	32	Saddle	1
11	Spring Washer	2	22	Spring	2	33	Separating sleeve	2