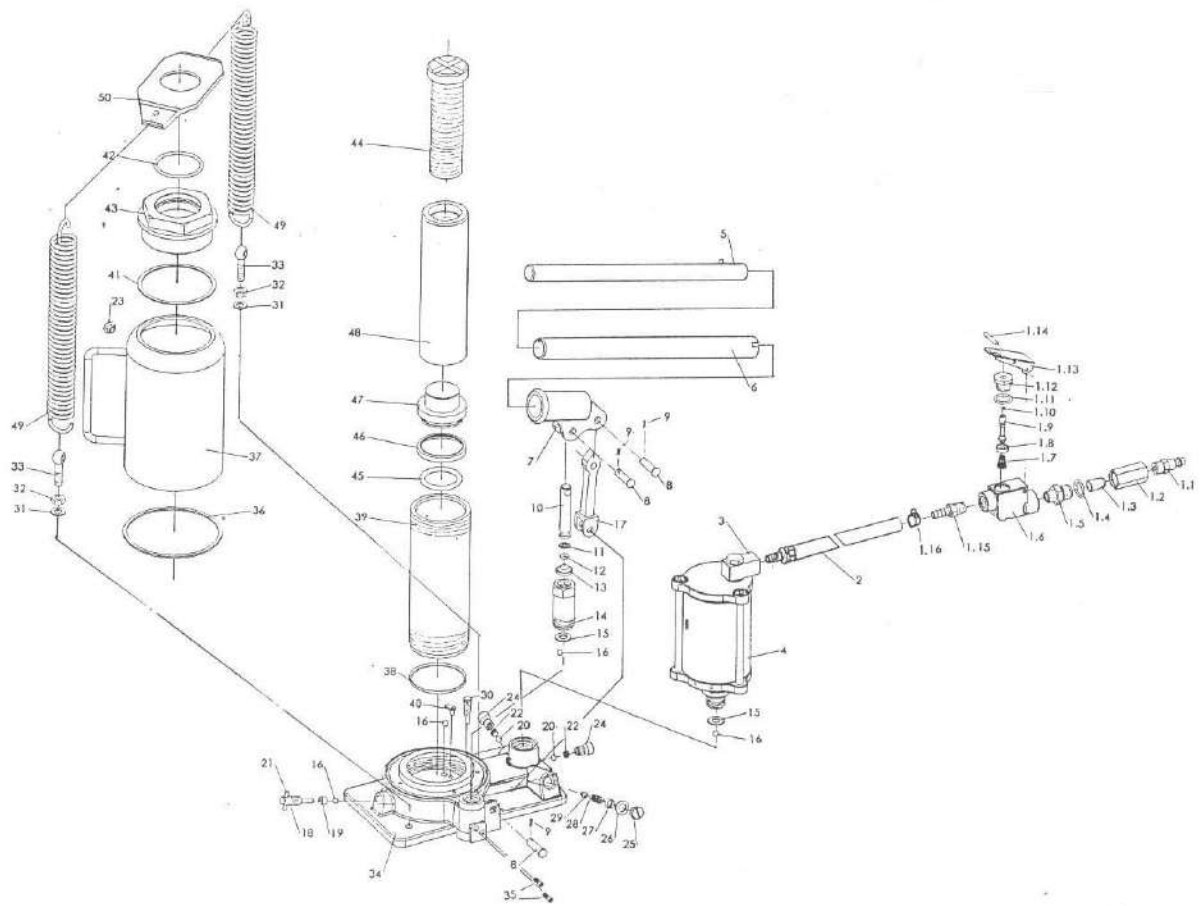


**WJ-L12D**

**WJ-L20D**



**WJ-L12D WJ-L20W-B**  
**WJ-L20D**

NO.	DESCRIPTION	QTY		NO.	DESCRIPTION	QTY	
		WJ-L12D WJ-L20D	WJ-L20W-B			QYL12D QYL20D	QYL20W
1.1	hose connector	1	1	19	release valve seal	1	1
1.2	connecting nut	1	1	20	steel ball 6.35	1	1
1.3	air filter	1	1	21	pin	1	1
1.4	"O" ring 18×2.4	1	1	22	valve spring	2	2
1.5	connector	1	1	23	filler plug	1	1
1.6	valve body	1	1	24	screw	2	2
1.7	spring	1	1	25	plug screw	1	2
1.8	packing	1	1	26	plung washer	1	2
1.9	throttle	1	1	27	overload valve screw	1	2
1.10	"O" ring 3×1.6	1	1	28	safety valve spring	1	2
1.11	"O" ring 18×2.4	1	1	29	overload tapering valve	1	2
1.12	nut	1	1	30	filter net	2	2
1.13	lever	1	1	31	spring wasehr 8	2	2
1.14	lever rin	1	1	32	nut 8	2	2
1.15	hose connector	1	1	33	bolt M8×35	2	2
1.16	hose band	2	2	34	base	1	1
2	air hose	1	1	35	plug screw	4	4
3	connector	1	1	36	cylinder bottom seal	1	1
4	air pump	1	1	37	reservoir	1	1
5	handle upper	1	1	38	packing	1	1
6	handle lower	1	1	39	cylinder	1	1
7	plunger	1	1	40	steel ball retainer	2	2
8	shaft pin	3	3	41	cylinder top seal	1	1
9	cotter pin	3	3	42	"O" ring	1	1
10	pump plunger	1	1	43	top nut	1	1
11	pump plunger retainer	1	1	44	extension screw	1	1
12	"O" ring	1	1	45	"O" ring	1	1
13	dust proof ring	1	1	46	"O" ring returner	1	1
14	pump reservoir	1	1	47	ram header	1	1
15	copper washer	1	1	48	ram	1	1
16	steel ball 6	6	6	49	spring	2	2
17	plunger comvecting rod	1	1	50	spring plate	1	1
18	release valve screw	1	1				