

TROUBLE SHOOTING

Jack will not lift load	Jack will not hold load	Jack will not lower	Poor jack lifting	Will not lift to full extension	Causes and Solutions
X	X		X		Release valve is not completely closed. (Turn handle clockwise)
X					Weight Capacity Exceeded.
X			X		Air is in the hydraulics. Purge air from system.
X	X		X	X	Low oil level. Add oil as required.
		X			Oil reservoir is overfilled. Drain excessive oil. Lubricate moving parts.
		X			Jack is binding or foreign obstruction.
X	X		X		Power unit malfunctioning. Replace the power unit.

Safe Operating Temperature is between 40°F – 105°F (4°C - 41°C)

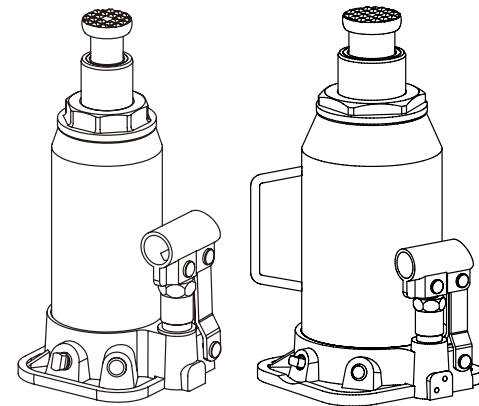
Flema

OWNER'S MANUAL

MODEL:WJ-L6
WJ-L12
WJ-L20
WJ-L20L



WELDED BOTTLE JACK



SPECIFICATIONS

Capacity	Min. Height (mm)	Lifting Height (mm)	Adjustable Height (mm)	Max. Height (mm)	N.W. (kgs)
2 TON	148	80	48	276	2.3
3 TON	180	110	60	350	3.1
4 TON	180	110	60	350	3.1
5 TON	185	110	60	355	3.95
6 TON	185	110	60	355	3.95
8 TON	190	115	60	365	4.8
10 TON	195	120	60	375	5.61
12 TON	200	120	60	380	6.54
15 TON	205	125	60	390	7.6
16 TON	205	125	60	390	7.6
20 TON	217	130	60	407	9.73

OPERATIONS

The owner and/or operator is responsible for providing maintenance, maintaining all decals or warning labels and while in use, maintaining the unit in good work order. If the owner and/or operator is not fluent in English or Spanish, the product warnings and instructions shall be read and discussed with the operator in the operator's native language by the purchaser/owner or his designee. Make sure that the operator comprehends its contents. Safety information shall be emphasized and understood prior to usage.

The jack shall be inspected per the instruction manual prior to use.

It is the owner and/or operators responsibility to study all WARNINGS, operating, and maintenance instructions contained on the product label and instruction manual prior to operation of this unit. The owner/operators shall retain product instructions for future reference.

Raising Vehicle:

1. Make sure the jack and vehicle are on a hard level surface.
2. Always set the vehicle parking brake and block the wheels
3. Consult the vehicle owners manual to ascertain the location of jack points and position the jack beneath the prescribed lift point.
4. Turn the release valve clockwise to the closed position. DO NOT OVER TIGHTEN!
5. To raise the vehicle to designed height, place the handle into the socket and pump up and down.
6. Place jack stands beneath the vehicle at locations recommended by the vehicle manufacturer. Do not get under the vehicle without jack stands. Jacks are not designed to maintain heavy loads for long periods of time. Do not attempt to put jack stand simultaneously under both ends of vehicle or under one side of vehicle.
7. Turn release valve SLOWLY counterclockwise to lower load onto jack stands.

Lowering Vehicle:

1. Turn the release valve clockwise to the closed position.
2. Pump the handle to lift vehicle off of jack stands.
3. Remove the jack stands. Do not get under or let anyone else under the vehicle while lowering.
4. Turn the release valve SLOWLY counterclockwise to lower the vehicle onto the ground.

INSPECTION

The product shall be maintained in accordance with the product instructions. No alterations shall be made to this product.

1. Before use, a visual inspection of the jack should be made for abnormal conditions such as cracked welds, damage, bent, worn, loose or missing parts, or hydraulic leaks.
2. Inspections shall be performed in accordance with this manual
3. The product shall be inspected immediately if the jack is believed to have been subject to an abnormal load or shock. It is recommended that this inspection be made by an authorized customer service representative prior to use.

MAINTENANCE

Monthly maintenance is recommended. Lubrication is critical to jacks as they support heavy loads. Any restriction due to dirt, rust, etc., can cause either slow movement or cause extremely rapid jerks, damaging the internal components. The following steps are designed to keep the jack well lubricated:

1. Lubricate the ram, linkages, saddle and pump mechanism with light oil. Grease wheel bearings and axles.
2. Visually inspect for cracked welds, bent, loose, missing parts or hydraulic oil leaks.
3. If jack is subjected to abnormal load or shock, remove from service and have it examined by a customer service representative prior to use.
4. Clean all surfaces and maintain all labels and warnings.
5. Check and maintain the ram oil level.
6. Check ram every 3 months for any sign of rust or corrosion. Clean as needed and wipe with an oil cloth. When not in use, always leave the saddle and ram all the way down.

Always store your jack in the fully lowered position. This will help protect critical areas from excessive corrosion. Do not use brake or transmission fluids or regular motor oil as they can damage the seals. Always purchase and use products labeled Hydraulic Jack Oil.

CHECK OIL LEVEL

1. Turn release valve counterclockwise to allow ram to fully retract. It may be necessary to apply force to the saddle for lowering.
2. With the jack in the level position, remove the oil fill plug. Stand jack in vertical position with handle socket down. The oil should be level with the bottom of fill hole. If not, top off. Do not overfill. Always fill with new, clean hydraulic jack oil.
3. Replace fill plug.
4. Check jack operation.
5. Purge air from system as required.

TROUBLE SHOOTING

SYSTEM AIR PURGE:

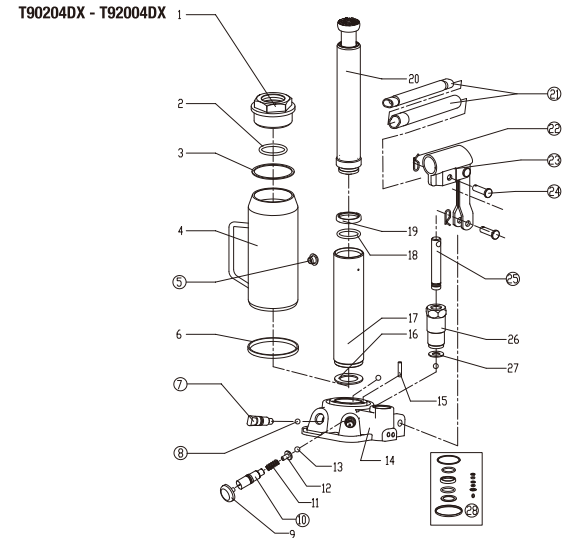
1. Turn release valve counterclockwise one full turn to open.
2. Pump handle eight full strokes.
3. Turn release valve clockwise to close valve.
4. Pump handle until the ram reaches maximum height and continue to pump several times to remove trapped air in the ram.
5. Carefully and slowly pinch oil fill plug to release trapped air.
6. Turn release valve counterclockwise one full turn and lower ram to the lowest position. Use force if necessary.
7. Turn release valve clockwise to closed position and check for proper pump action. It may be necessary to perform the above more than once to assume air is evacuated totally.

SAFETY MARKINGS

WARNING!

1. Study, understand, and follow all instructions before operating this device.
2. Do not exceed rated capacity.
3. Use only on hard, level surfaces, with less than 3 degrees of slope.
4. Lifting device only. Immediately after lifting, support the vehicle with appropriate means.
5. Do not move or dolly the vehicle while on the jack.
6. Lift only on areas of the vehicle as specified by the vehicle manufacturer.
7. No alterations shall be made to this product.
8. Only attachments and/or adapters supplied by the manufacturer shall be used.
9. Do not get under or allow anyone under the vehicle until it has been supported by jack stands.
10. Center load on saddle prior to lifting.
11. Use wheel chocks or other blocking device on opposing wheels before using jack.
12. Never use on a lawn mower or lawn tractor.
13. Do not use this jack for any use other than the manufacturer specified usage.
14. Do not rock the vehicle while working on or around equipment.
15. The following are not recommended for supporting on this equipment: Foundations, Homes, Mobile Homes, Trailers, RV's, Campers, nor Fifth Wheels, etc...
16. Failure to heed these markings may result in personal injury and/or property damage.

ASSEMBLY DIAGRAM



Ref.	Description	QTY
1	Top cup	1
2	O-ring	1
3	Rectangular ring	1
4	Reservoir	1
5	Oil plug	1
6	T-ring	1
7	Release valve assembly	1
8	Ball 6 mm	3
9	plastic plug	1
10	Adjusting screw assembly	1
11	Spring	1
12	Spring holder	1
13	Steel ball 3 mm	1
14	Base parts	1
15	Oil filter pipe	1
16	Cylinder ring	1
17	Cylinder	1
18	O-Ring	1
19	Bowl washer	1
20	Piston rod assembly	1
21	Handle assembly	1
22	Cutter pin	2
23	Handle socket assembly	1
24	Pin	2
25	Pump plunger assembly	1
26	Pump	1
27	Washer	1
28	Seal kit	1